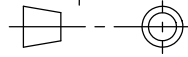
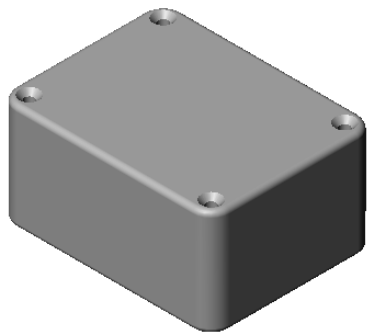
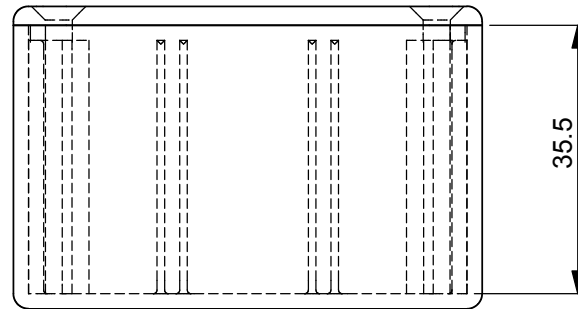
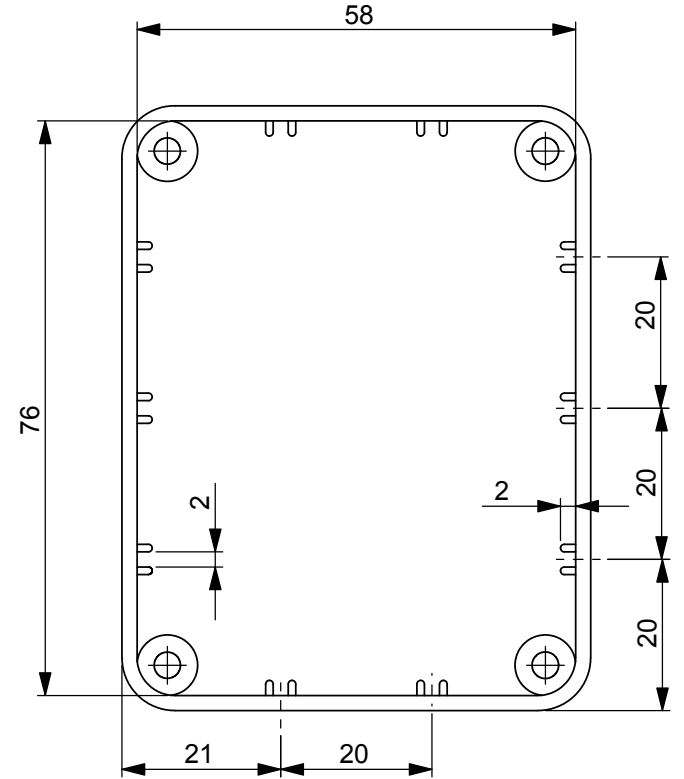
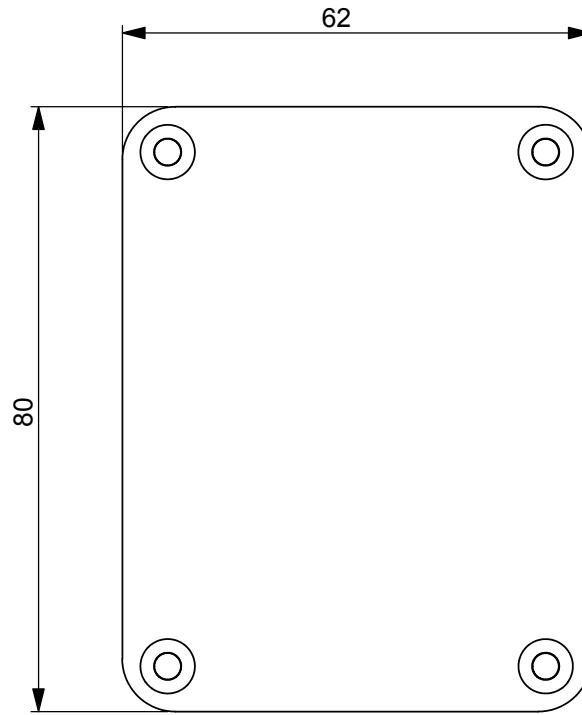
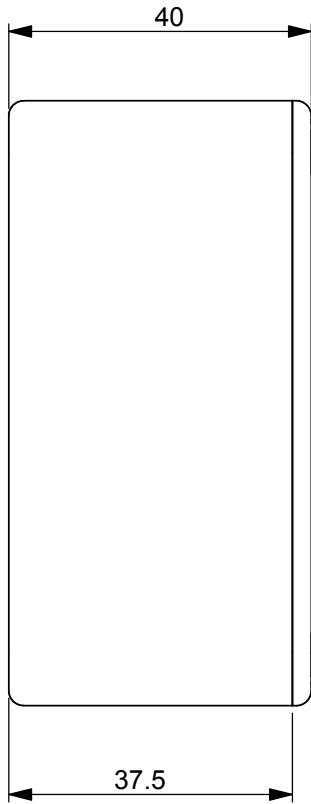


UNLESS OTHERWISE SPECIFIED:  
DIMENSIONS ARE IN MILLIMETERS



DO NOT SCALE DRAWING



ISSUE	CHK'D	DRAWN	DATE	DEBUR AND BREAK SHARP EDGES	GENERAL TOLERANCES	BCL HARROGATE ENGLAND	
1	PT	KA.	03/04/04		UP TO 200 ±0.2	TITLE: MOULDED BOX & LID	A4
				FINISH:		DWG NO. MB1	
				MATERIAL: ABS		SCALE	SHEET 1 OF 1